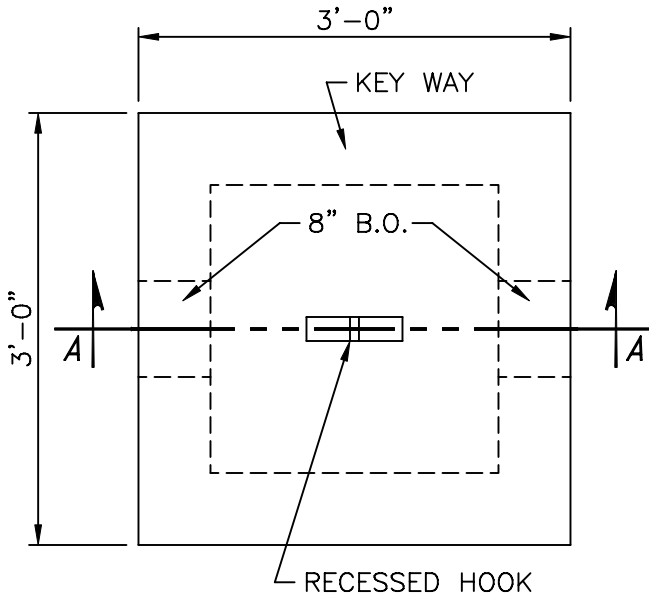
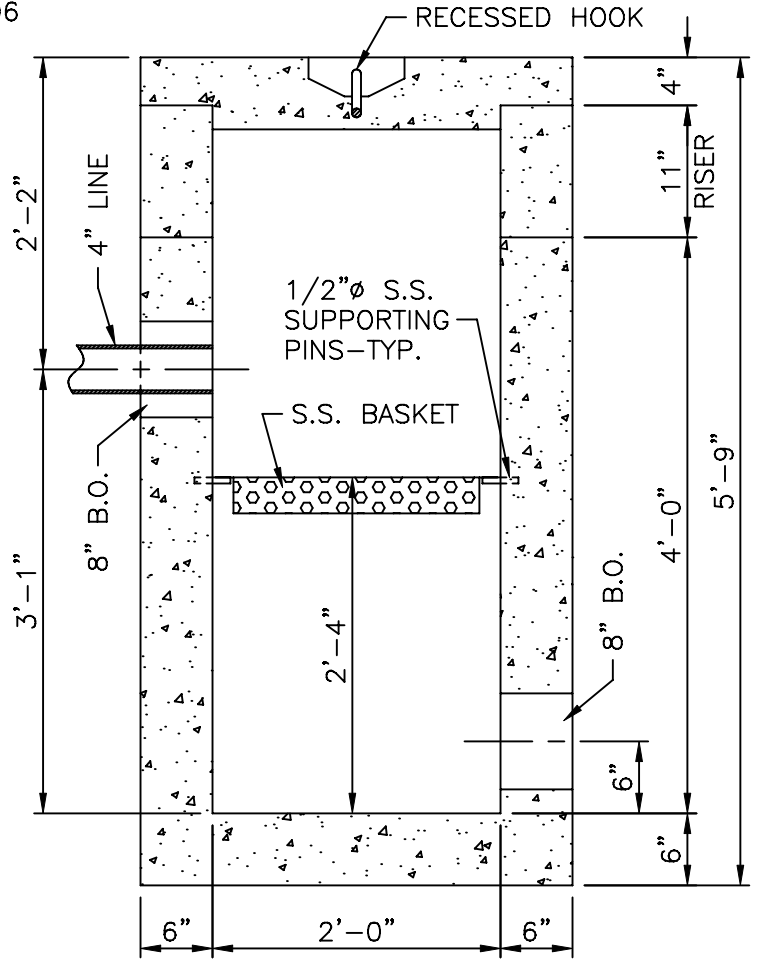




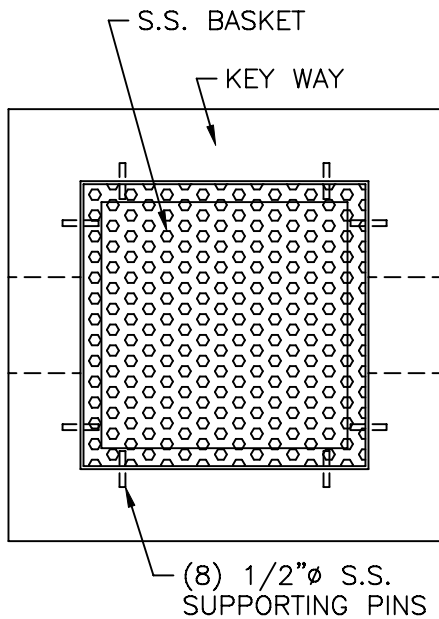
8650 Box Rd.
 Shreveport, LA 71106
 Phone: 318-869-2085
 Fax: 318-869-2098
 800-456-1970



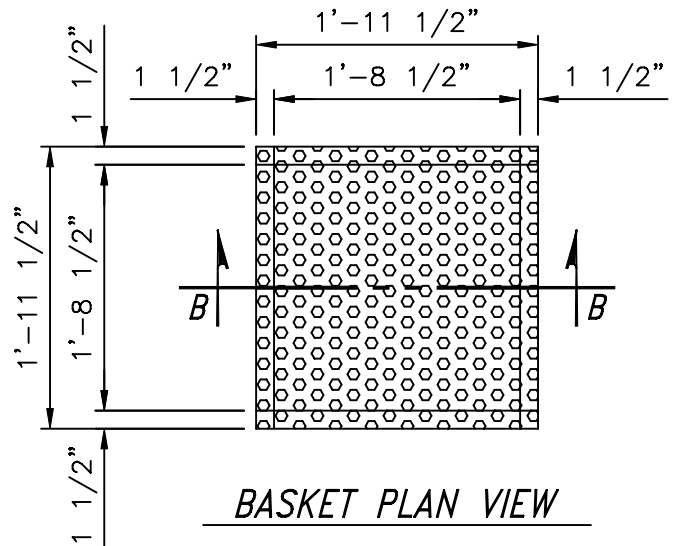
PLAN VIEW



SECTION "A"-"A"



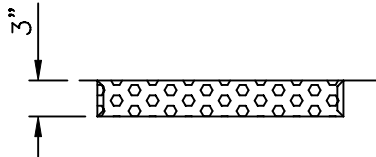
PLAN WITHOUT TOP



BASKET PLAN VIEW

USE RAM-NEK SEALANT
 ON ALL JOINTS.

4500 P.S.I. CONC.
 REINF.: 4"x4" 4/4
 DEFORM WIRE



SECTION "B"-"B"

2' x 2' LINT TRAP w/ S.S. BASKET

DRAWN BY: KWD

APP'D BY: SN

DATE: 8/7/07

SCALE: 3/4"=1'-0"