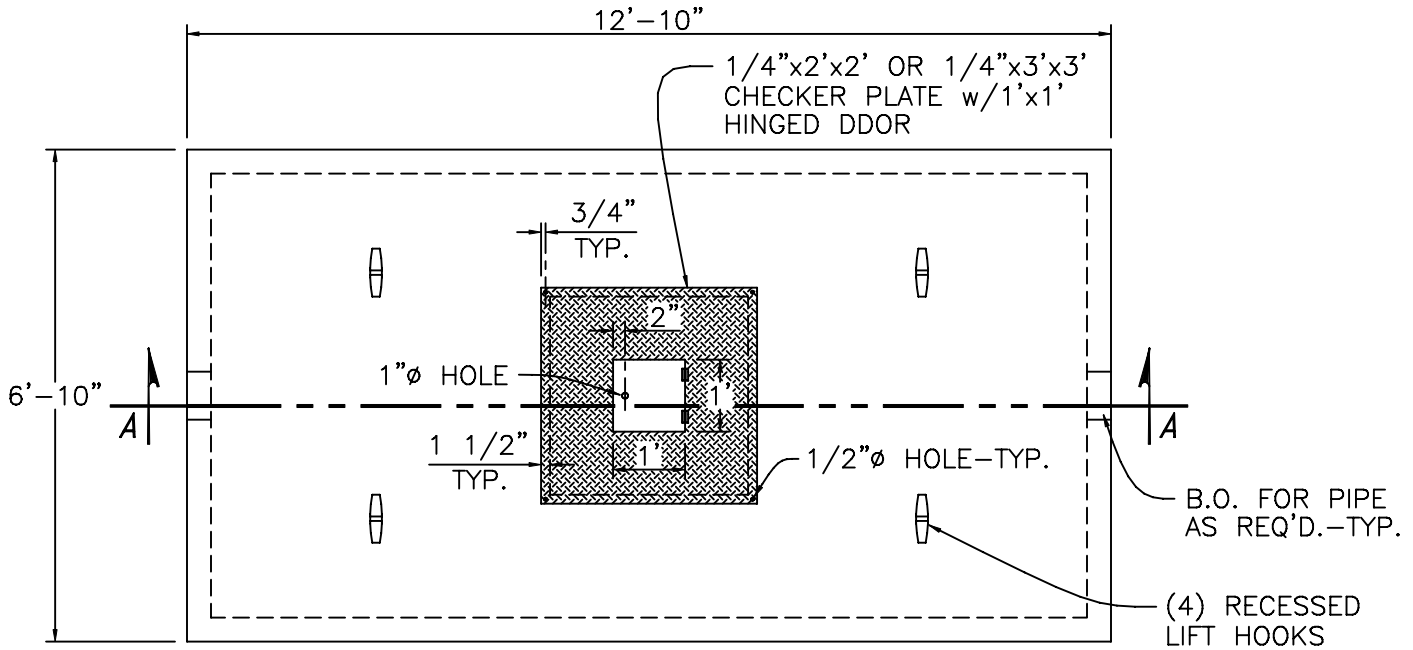




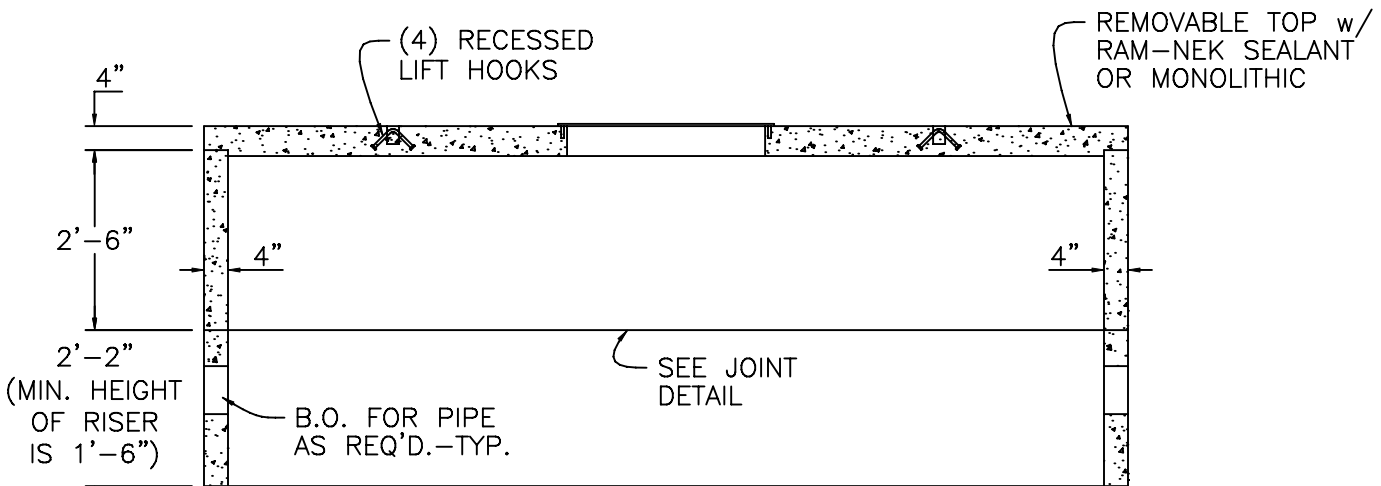
8650 Box Rd.
 Shreveport, LA 71106
 Phone: 318-869-2085
 Fax: 318-869-2098
 800-456-1970

DESIGN SPECIFICATION: ASTM C913.
 NOT DESIGNED FOR TRAFFIC LOADING.
 DO NOT INSTALL WHERE STRUCTURAL
 LOADING MAY EXIST.

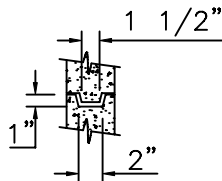
4500 P.S.I. CONC.
 REINF. 4X4 4/4 WIRE
 AND #4, GRADE 60 BARS



PLAN VIEW



SECTION "A"-"A"



JOINT DETAIL

6'-10" x 12'-10" METER VAULT	
DRAWN BY: KWD	APP'D BY: SN
DATE: 8/8/07	SCALE: 3/8"=1'-0"