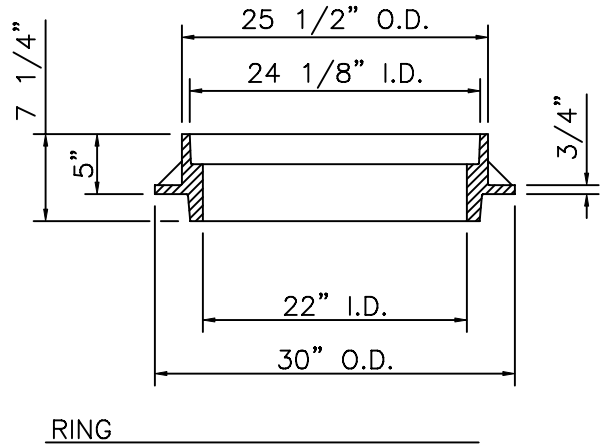
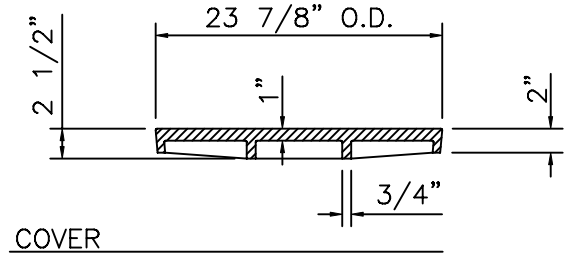
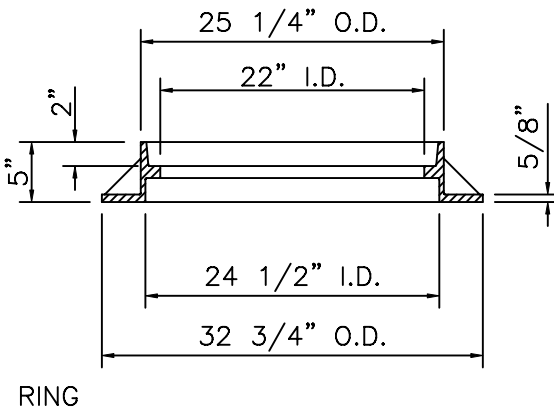
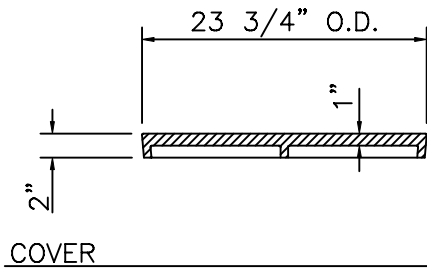


V1317



V1343



MH-255

**COVER OPTIONS**

DRAWN BY: KWD

APP'D BY: SN

DATE: 10/13/06

SCALE: 3/4"=1'-0"