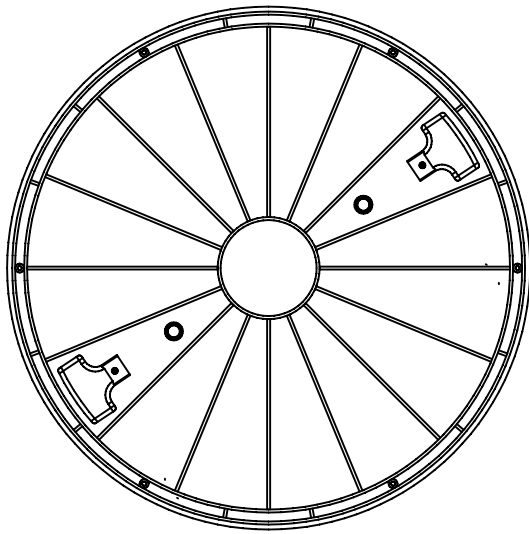
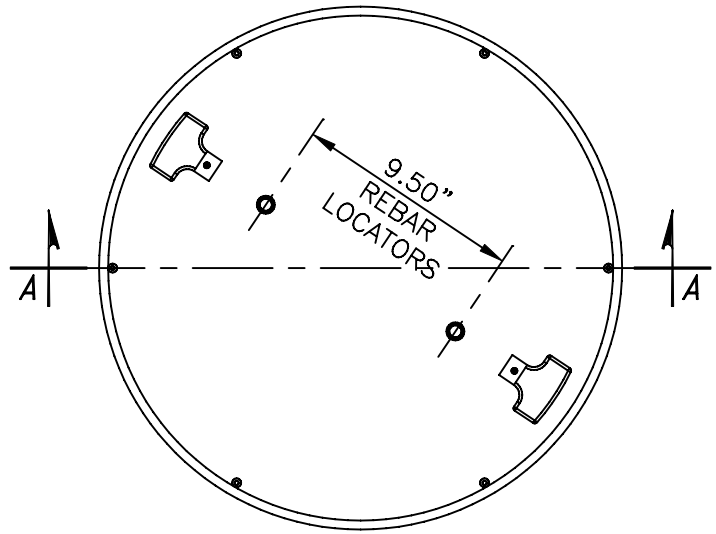




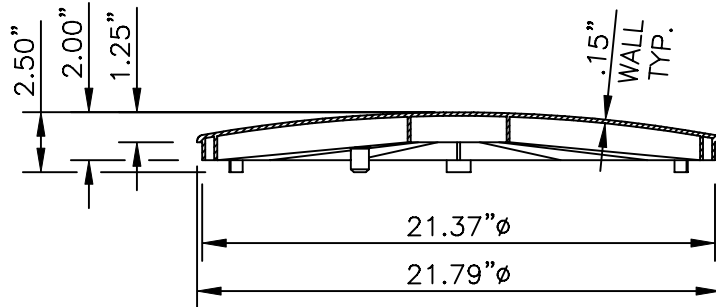
8650 Box Rd.
 Shreveport, LA 71106
 Phone: 318-869-2085
 Fax: 318-869-2098
 800-456-1970



PLAN VIEW - BOTTOM SIDE



PLAN VIEW - TOP SIDE



SECTION "A"- "A"

PART No. 3009-RC
MATERIAL - HDPE

POLYLOK 20" RISER COVER	
DRAWN BY: KWD	APP'D BY: SN
DATE: 8/16/07	SCALE: 1 1/2"=1'-0"