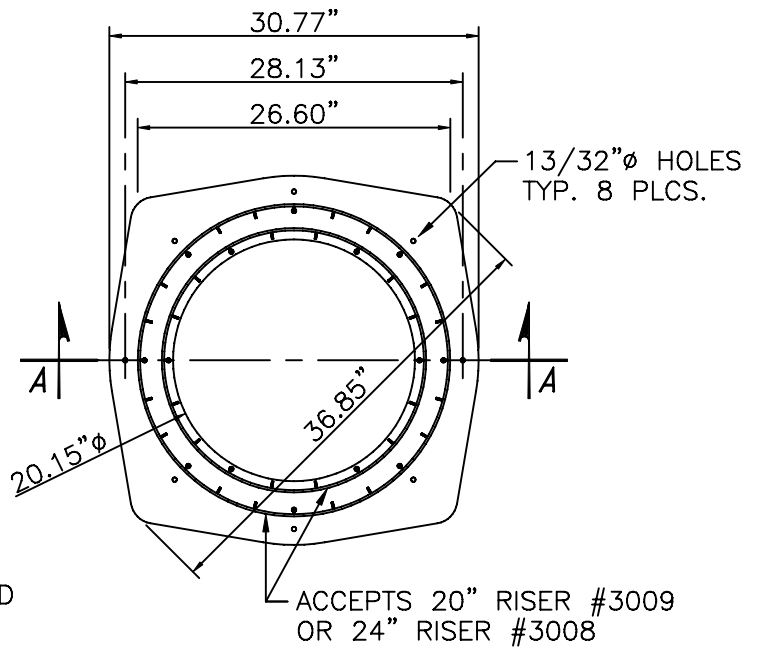


PLAN VIEW - TOP SIDE



PLAN VIEW - BOTTOM SIDE

PART No. 3009-AR
MATERIAL - HDPE

POLYLOK ADAPTER RING

DRAWN BY: KWD

APP'D BY: SN

DATE: 8/15/07

SCALE: 3/4"=1'-0"