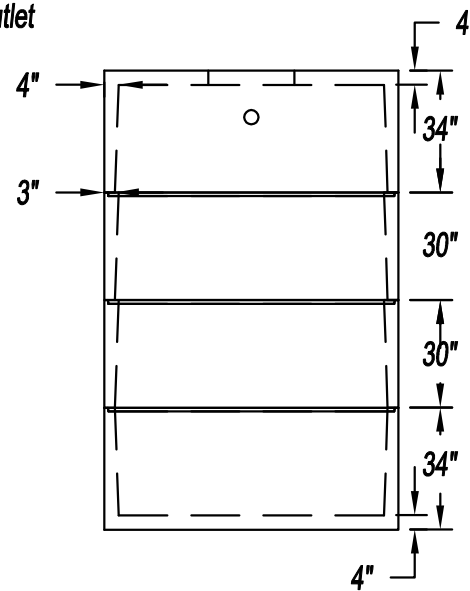
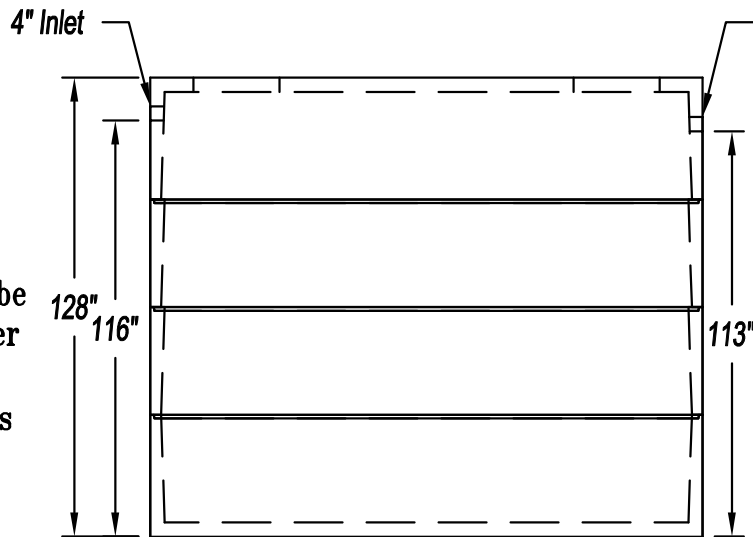


- Notes:
- Inlets and outlets can be placed per contractor specifications
  - Rebar design can be adjusted to customer specifications
  - Manhole/Riser sizes can be adjusted to customer specifications
  - 4,000 PSI Concrete
  - Built to ASTM C1227 Standards



Weight of top and bottom sections: 7,710 lbs.  
 Weight of Middle sections: 3,472 lbs.  
 Total Weight: 22,364 lbs.

~48.6875 gal/inch  
 6" floor and lid thickness also available.



SI Precast

4500 Gallon Commercial Tank

Customer: Si Precast

Drawn By: CC

Date: 08/17/2020

File: 4500galloncommercialtank.dwg

Scale: NTS

Sheet: 1